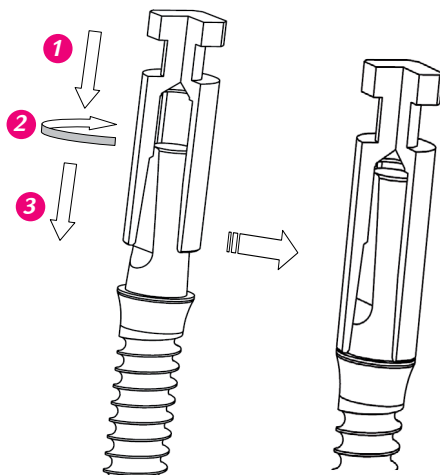


# PROTOCOL

## Protocol for the use of the S-TD250 transfer and S-RL250 analog for Slim Abutment 2.5 implant

- **ADVANTAGES :**
- Facilitates the positioning of the transfer over the implant and over the analog
  - Avoids a resistance between: transfer/implant and analog/transfer

### PROTOCOL FOR THE USE OF THE S-TD250 TRANSFER



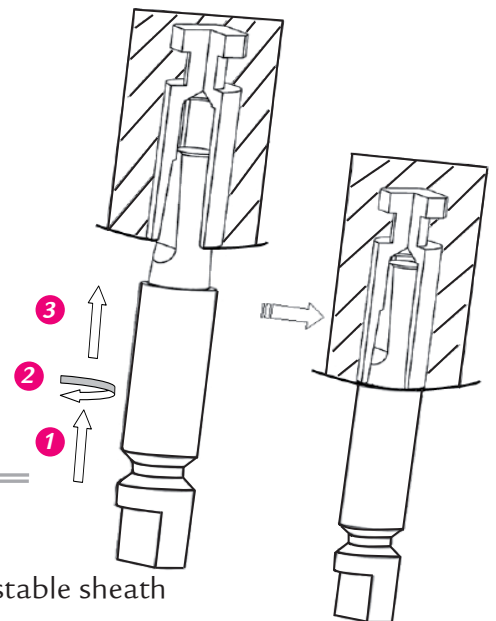
#### ➤ BEFORE IMPRESSION

- 1 Position the transfer over the implant.
- 2 If you experience any resistance to the insertion, rotate the transfer until the index mark is aligned.
- 3 Push the transfer until stop position and then take the impression.

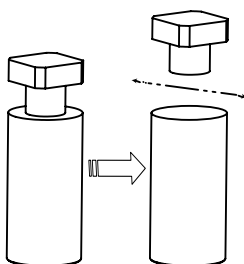
### PROTOCOL FOR THE USE OF THE S-RL250 ANALOG

#### ➤ BEFORE MODEL POURING STAGE

- 1 After the impression material hardened around the transfer, position the analog over the transfer.
- 2 If you experience any resistance to the insertion, rotate the analog until the index mark is aligned.
- 3 Push the analog until stop position and then pour the model.



- **NOTE :** The transfer can be used as a castable sheath



The S-TD250 transfer can be used as a castable sheath for the Slim 2.5 implant abutment.

- Cut and break the upper part as shown on the left drawing.
- Polish if necessary the remaining cylindrical part.
- Thicken the transfer diameter with wax. The transfer is thin for clinical reasons.